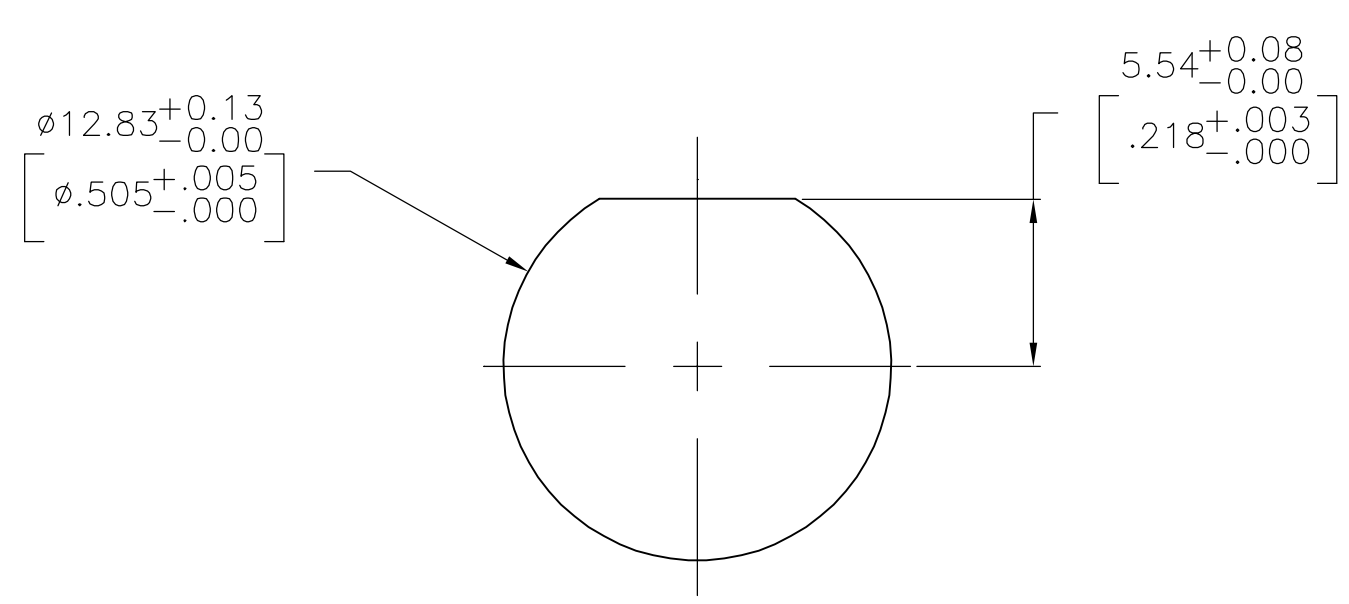
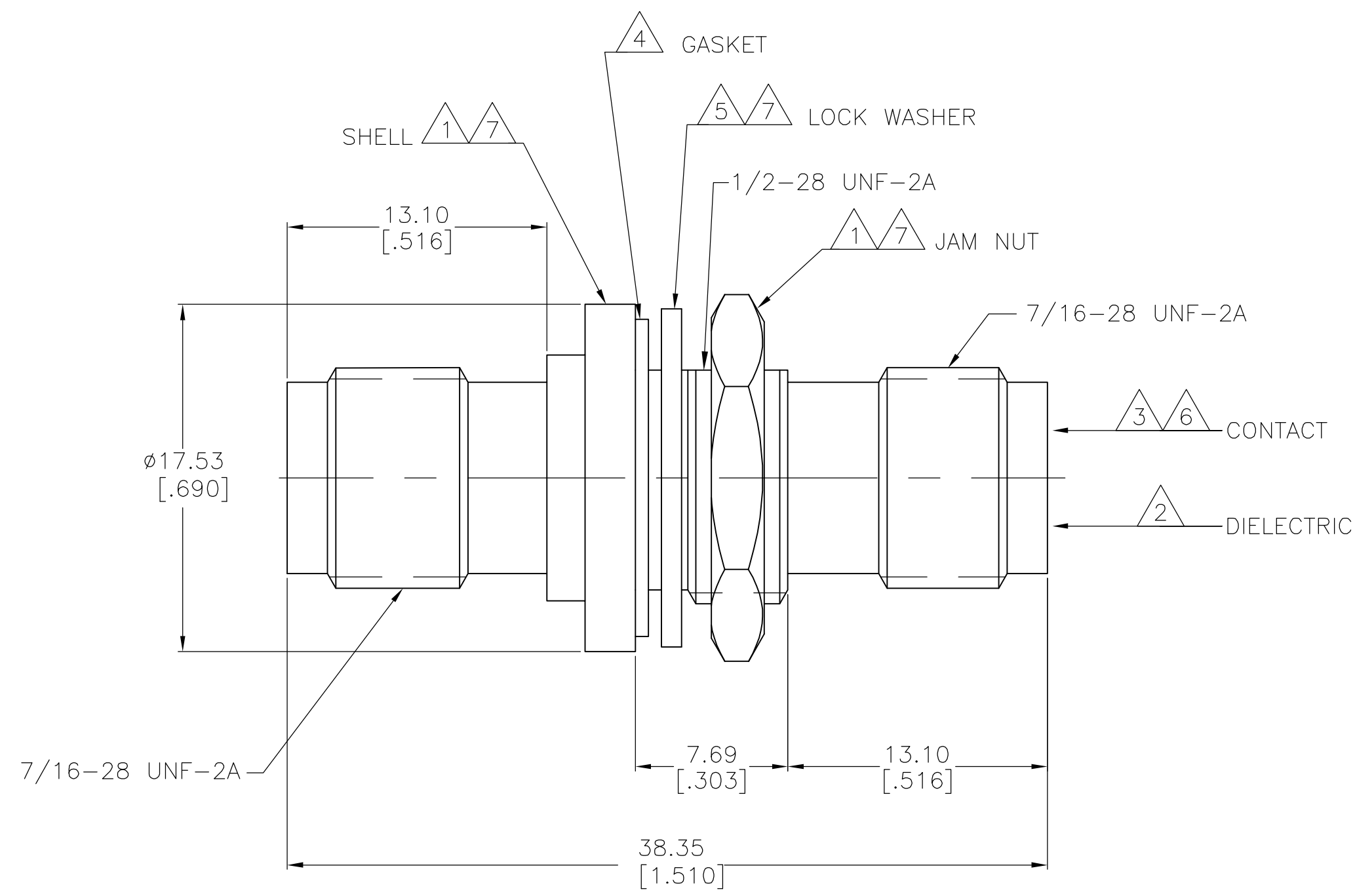


THIS DRAWING IS UNPUBLISHED. RELEASED FOR PUBLICATION
 © COPYRIGHT BY TYCO ELECTRONICS CORPORATION. ALL RIGHTS RESERVED.

LOC	DIST	REVISIONS			
P	LTR	DESCRIPTION	DATE	DWN	APVD
AJ	17	D	REVISED PER EC OS14-0470-04	13JAN05	BM JL

- ① BRASS
- ② DELRIN
- ③ PHOSPHOR BRONZE
- ④ SILICONE RUBBER
- ⑤ STAINLESS STEEL
- ⑥ GOLD PLATE, 0.76µm [.000030] MINIMUM THICKNESS
- ⑦ NICKEL PLATE, 2.54µm [.000100] MINIMUM THICKNESS
- 8. GASKET TO BE RECESSED INSIDE THE MOAT
- 9. MAXIMUM PANEL THICKNESS IS 3.18 [.125]
- 10. ALL DIMENSION FOR ADAPTER ARE REFERENCE ONLY



RECOMMENDED PANEL CUTOUT

221500-1
 PART NUMBER

THIS DRAWING IS A CONTROLLED DOCUMENT.		DWN MICHAEL E. COWHER 03-MAR-98	Tyco Electronics Corporation Harrisburg, Pa 17105-3608	
DIMENSIONS: mm [INCHES]		CHK MICHAEL E. COWHER 02-APR-98	NAME JACK TO JACK, ADAPTER, BULKHEAD, TNC	
TOLERANCES UNLESS OTHERWISE SPECIFIED:		APVD MICHAEL E. COWHER 02-APR-98	RESTRICTED TO	
0 PLC ± -		PRODUCT SPEC	SIZE A2	
1 PLC ± -		APPLICATION SPEC	CAGE CODE 00779	
2 PLC ± .25 [.010]		WEIGHT	DRAWING NO C=221500	
3 PLC ± -		FINISH	SCALE 4:1	
4 PLC ± -		SEE NOTES	SHEET 1 OF 1	
ANGLES ± -		SEE NOTES	REV D	
MATERIAL SEE NOTES		CUSTOMER DRAWING		

221500